

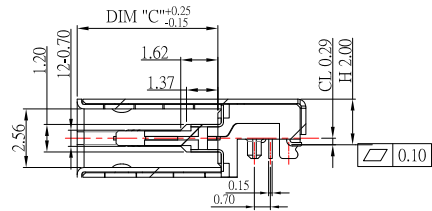


# SBC-240M14x-31x-S277

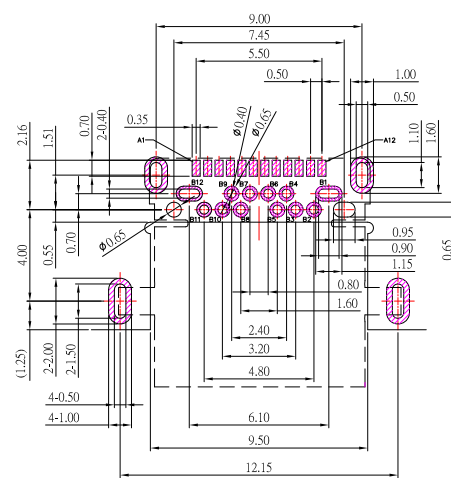
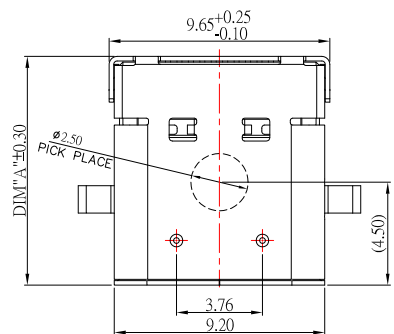
鍍層厚度:

Blank : 1u"
2 : 15u"
3 : 30u"

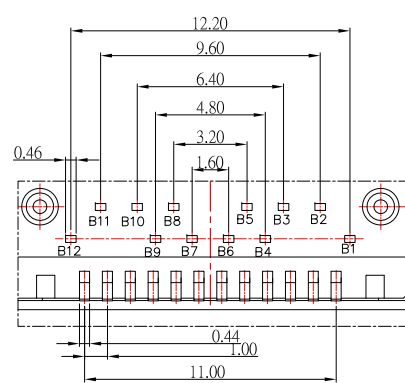
NO.	DIM A	DIM B	DIM C
BLANK	10.0	7.75	6.2
1	8.65	6.4	4.85



Section A-A  
Scale 1:1



## RECOMMENDED P.C.B. LAYOUT



Detail A  
Scale 2:1

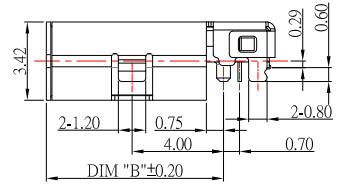
- Material:**
- Housing: LCP
  - Contact: COPPER ALLOY
  - Shell: SUS
- Finish:**
- Contact: Plated Gold in Mating Area ;  
Tin Plated on Solder Balls ;  
Nickel under plated overall
  - Shell: Nickel under Plated surface layer

### USB TYPE-C FULL-FEATURED RECEPTACLE INTERFACE PIN ASSIGNMENTS

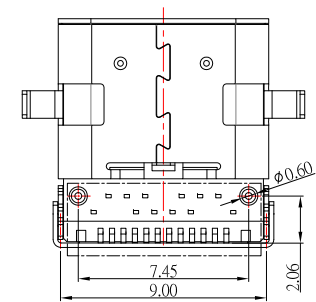
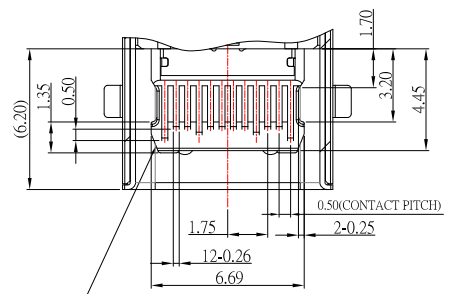
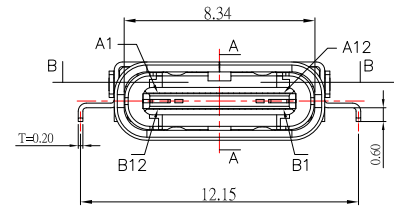
PIN	Signal Name	Description	PIN	Signal Name	Description
A1	GND	Ground return	B12	GND	Ground return
A2	SSTxp1	Positive half of first SuperSpeed TX differential pair	B11	SSRx1p	Positive half of first SuperSpeed RX differential pair
A3	SSTxm1	Negative half of first SuperSpeed TX differential pair	B10	SSRx1n	Negative half of first SuperSpeed RX differential pair
A4	Vcc	Bus Power	B9	Vcc	Bus Power
A5	CC1	Configuration Channel	B8	SR02	Sideband Use (SBU)
A6	Dp1	Positive half of the USB 2.0 differential pair-Position 1	B7	Dn2	Negative half of the USB 2.0 differential pair-Position 2
A7	Dn1	Negative half of the USB 2.0 differential pair-Position 1	B6	Dp2	Positive half of the USB 2.0 differential pair-Position 2
A8	SBU1	Sideband Use(SBU)	B5	CC2	Configuration Channel
A9	Vcc	Bus Power	B4	Vcc	Bus Power
A10	SSRx2n	Negative half of second SuperSpeed RX differential pair	B3	SSTX2p	Positive half of second SuperSpeed TX differential pair
A11	SSRx2p	Positive half of second SuperSpeed RX differential pair	B2	SSTX2n	Negative half of second SuperSpeed TX differential pair
A12	GND	Ground return	B1	GND	Ground return

## SPECIFICATIONS

- Electrical:**
- Rating: 3.0 A , 5V AC
  - Dielectric Withstand Voltage: 100V AC
  - Contact Resistance: 40 mΩ Max
  - Insulation Resistance: 100 MΩ Min
- Mechanical:**
- Connector Mate and Unmate Force
    - Mate force: 5~20 N
    - Unmate force: 8~20 N



SECTION B-B  
Scale 1:1



**CONTACT** 建倚科技股份有限公司  
CONTACT TECHNOLOGY CORP.

TOLERANCE UNLESS OTHERWISE STATED:	Up to 5 ± 0.2	3RD. ANGEL'S	UNITS	MM
	Above 5 ~ 15 ± 0.3			
	Above 15 ~ 30 ± 0.4			
	Above 30 ~ 50 ± 0.5			
	Angle ± 0.3°			

DRAWN BY:	DATE	MAT'L	TITLE	CONNECTOR
Jack Lu	12/13/19		MODLE	USB 3.1 TYPE C 母座沉板, 板上 H2.0mm
CHECKED BY:	DATE	FINISH	DWG NO.	SBC-240M14x-31x-S277
Jacky Chen	12/13/19		SCALE	1 : 1
APPROVED BY:	DATE	SHEET NO.	PART NO.	SBC-240M14x-31x-S277
Tony Kao	12/13/19	1 of 1		
			SIZE	A4
			VER	R1

ITEM NO.	DESCRIPTION	DRAWN	DATE